



NUC-CPG

Cellular/GSM/3G and GPS Low Profile Puck Antenna

Features

- Low Profile Puck Antenna
- Pentaband Cellular/GSM/3G
- Active GPS patch element
- Fully Waterproof when mounted

Specifications

	GSM/3G	GPS
Radiating element	1/2 Wave Element	Ceramic Patch (GPS)
Frequency range	824-960/1710-2170 MHz	1575.42 +/- 1.042 MHz
Peak gain	3 dBi	28 dB with LNA (GPS)
Polarisation	Linear	RHCP
VSWR	<2.5:1	
Power rating	10 W	
Impedance	50 Ohms	50 Ohms
Noise Figure		Max.2.0 (Typical 1.0)
Power Consumption		20 mA (Max)
Operational Temperature	-40° C to 80° C	-40° C to 80° C
Dimensions	102 x 33.5mm (dxh)	102 x 33.5mm (dxh)

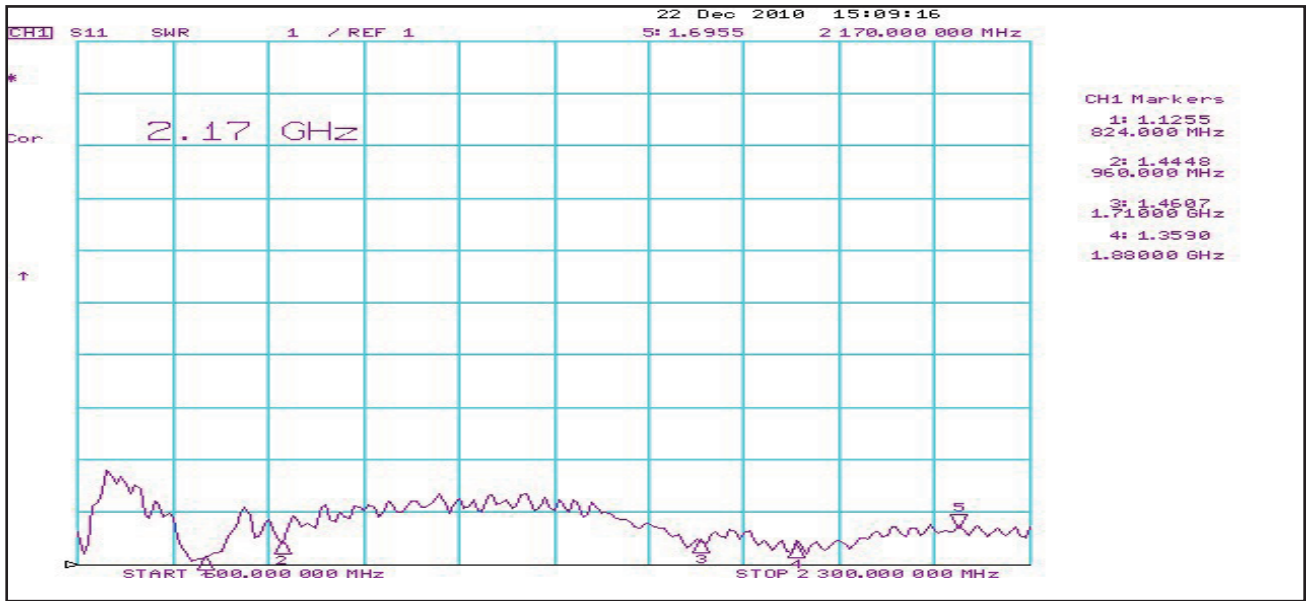
Ordering Options

NUC-CPG-1M	CPG with 2M RG174 SMA-Male on GSM / SMA-Male on GPS
NUC-CPG-2M	CPG with 3M RG-174 SMA-Male on GSM / SMA-Male on GPS

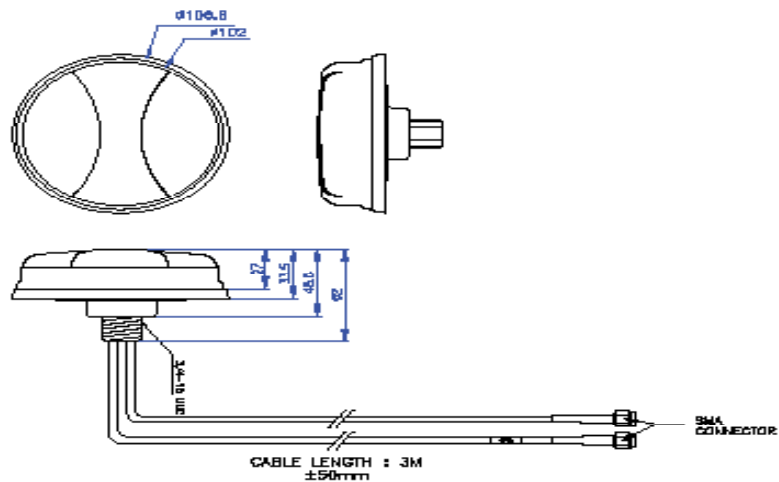
Specifications subject to change without notice.

NUC-CPG | Penta Cellular /GPS Low Profile Puck Antenna

GSM/3G VSWR



Outline Drawing



Specifications subject to change without notice.

Nucleus Networks Limited
Horizon
Honey Lane
Hurley SL6 6RJ

Tel: +44 (0)20 8819 8550
Fax: +44 (0) 845 868 3625
Email: shop@nucleusnetworks.co.uk
Web: www.nucleusnetworks.co.uk